

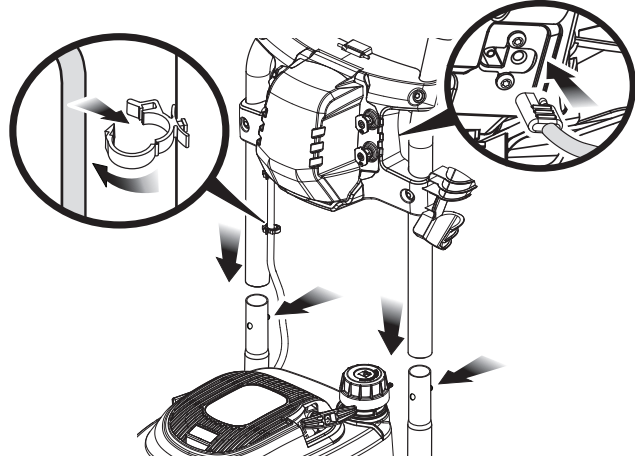
RY803111 QUICK REFERENCE GUIDE

⚠ WARNING:

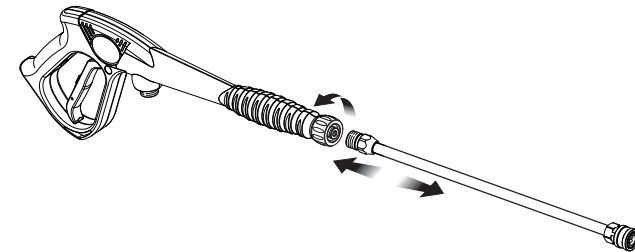
This Quick Reference Guide is not a substitute for reading the operator's manual. To reduce the risk of injury or death, user must read and understand operator's manual before using this product. All page references refer to the operator's manual.

FIRST TIME ASSEMBLY

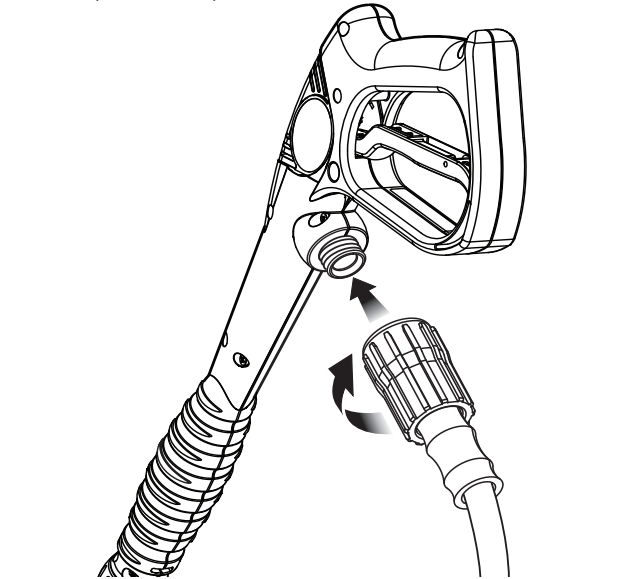
- 1** Install the handle and connect battery cable (see page 8).



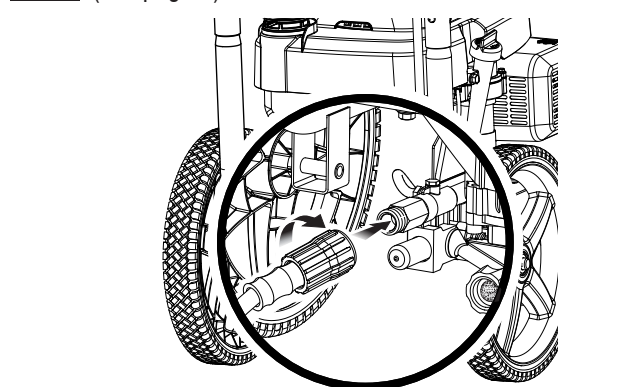
- 2** Connect the spray wand to the trigger handle (see page 8).



- 3** Connect the high pressure hose to the trigger handle (see page 8).

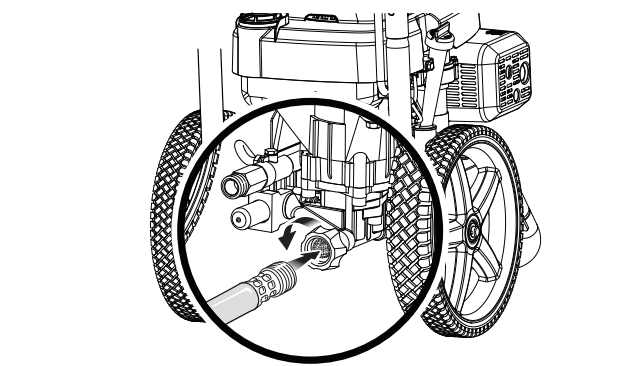


- 4** Connect the high pressure hose to the pump (see page 9).



Completely uncoil and straighten high pressure hose to prevent kinks.

- 5** Connect your garden hose to the pressure washer (see page 9).



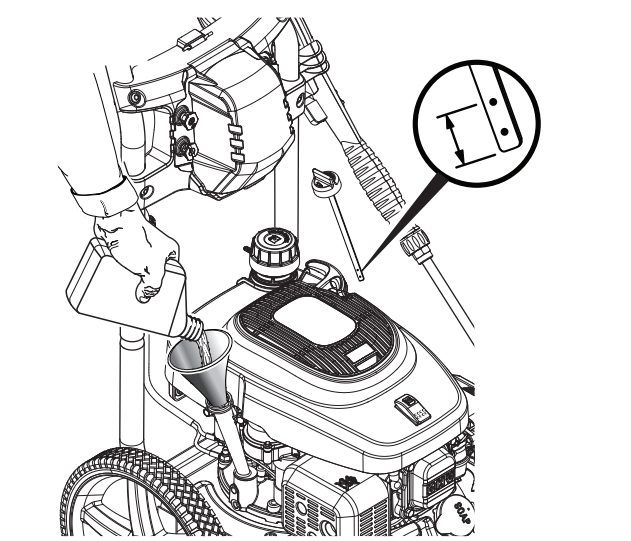
Completely uncoil garden hose or remove completely from reel to prevent kinks.

Turn water faucet on fully.

Make sure there are no leaks.

With no nozzle installed, squeeze the trigger to relieve air pressure. Hold the trigger until a steady stream of water appears.

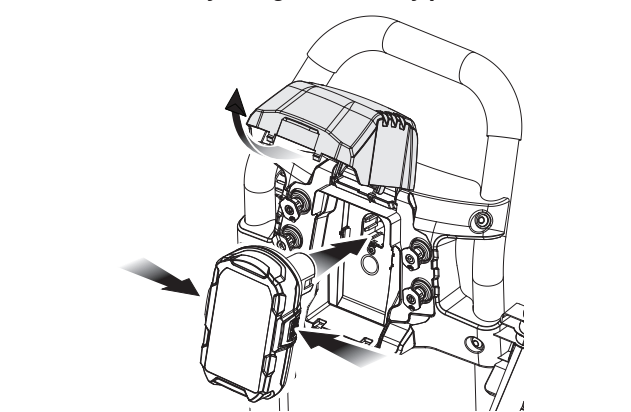
- 6** Add entire bottle of lubricant provided to the pressure washer (see page 10).



Turn the fuel valve to CLOSED before adding lubricant.

Set unit on flat surface so engine is level. Remove dipstick, wipe clean, put back in hole (but don't screw in) and check lubricant level.

- 7** Install battery pack (see page 12).
NOTE: Fully charge the battery pack before use.



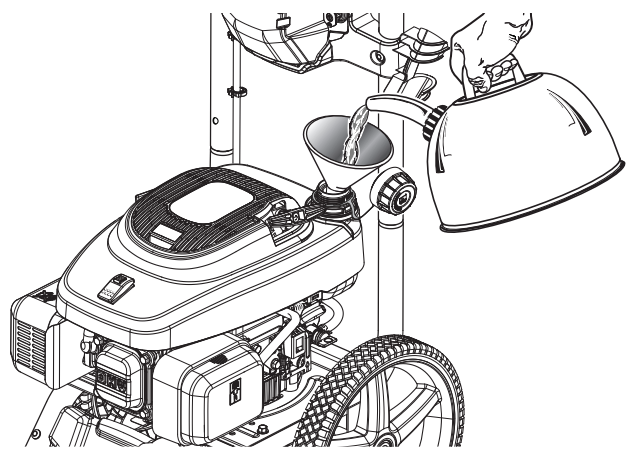
DO NOT OVERTILT THE UNIT!



STARTING THE UNIT (COLD START)

- 1** Add fuel (see page 11).

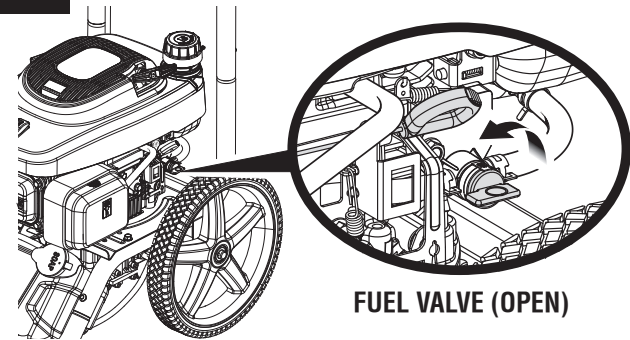
NOTICE: Do not use E15 or E85 fuel in this product. It is a violation of federal law and will damage the unit and void your warranty. Only use unleaded gasoline containing up to 10% ethanol.



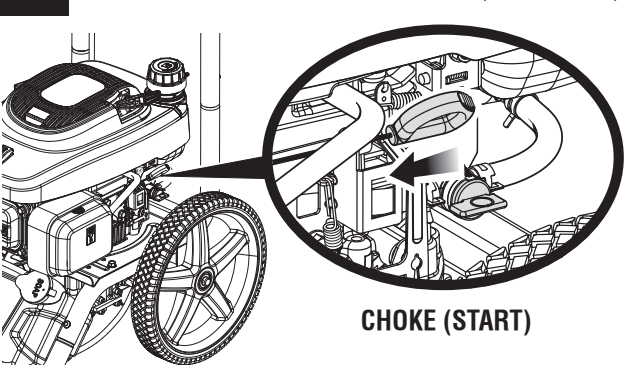
This is a 4-cycle engine. Do not mix fuel and lubricant together.

Mix fuel stabilizer with gasoline according to manufacturer's directions prior to filling the tank.

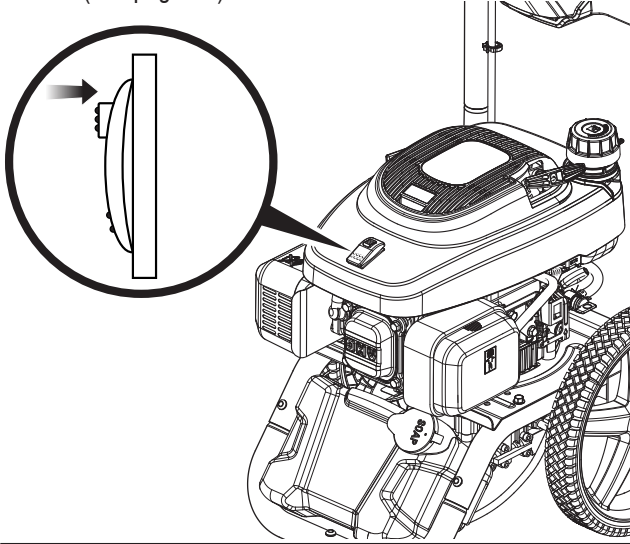
- 2** Turn the fuel valve to OPEN (see page 12).



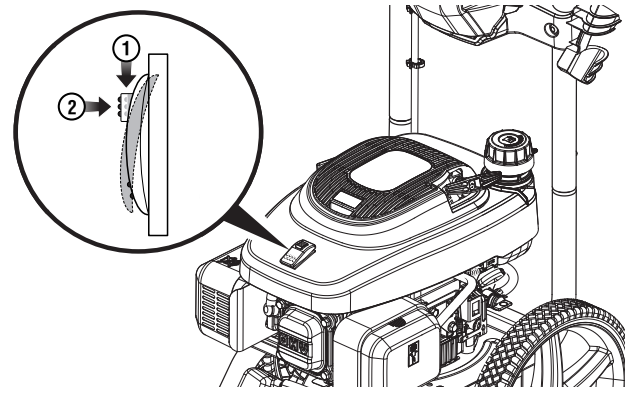
- 3** Push choke in to the START position (see page 12).



- 4** Push in at the top of the switch to turn engine ON (see page 12).

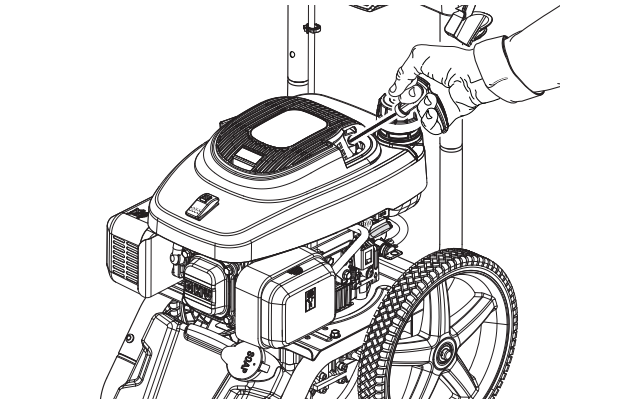


- 5** Slide the lock button down and push the engine switch to the START position. Engine can also be started by pulling the recoil starting grip until the engine runs (see page 12).



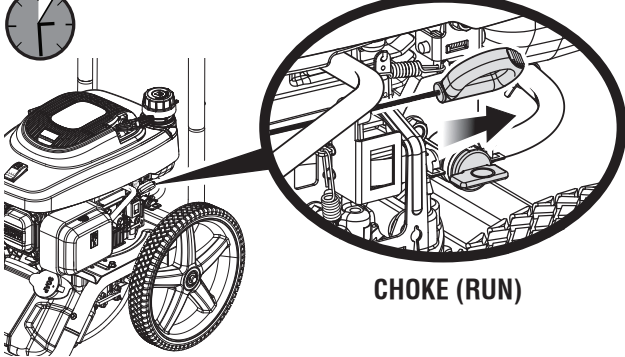
SLIDE LOCK BUTTON DOWN AND PUSH ENGINE SWITCH TO START

OR PULL STARTER GRIP AND ROPE TO START



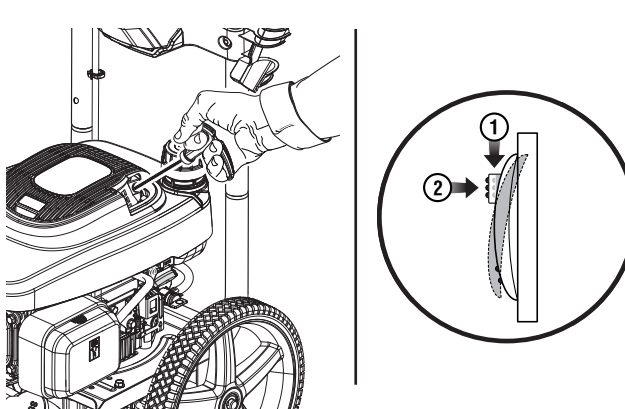
If the engine does not start after each pull of the starter grip and rope or after the engine switch is moved to the START position, squeeze the trigger to relieve water pressure before attempting to start the engine again.

- 6** Allow engine to run for several seconds, then pull choke out until it clicks into RUN position (see page 12).



RESTARTING THE UNIT (HOT RESTART)

- 1** Pull starter grip and rope to start or push the engine switch to the START position (see page 12).

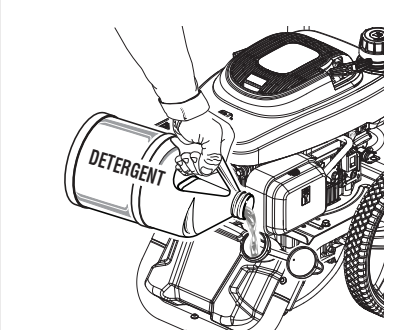


If the engine does not start:

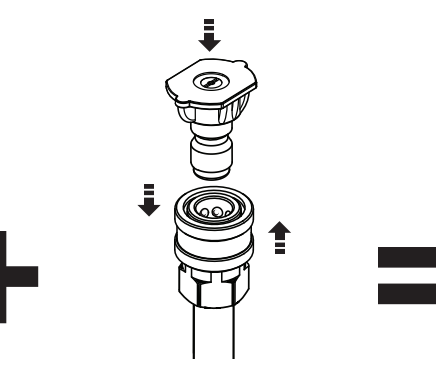
- check for enough fuel;
- may need to adjust choke position;
- try starting again.

USING DETERGENT

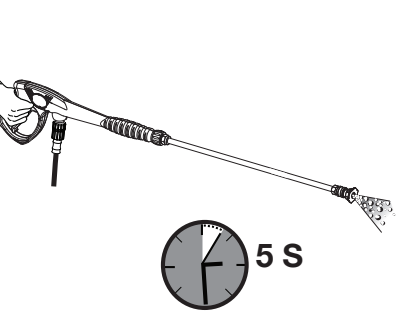
- 1** Pour pressure washer detergent in soap tank (see page 14).



- 2** Install blue soap nozzle (see page 13).



- 3** Squeeze trigger and wait approx. 5 seconds for detergent (see page 14).

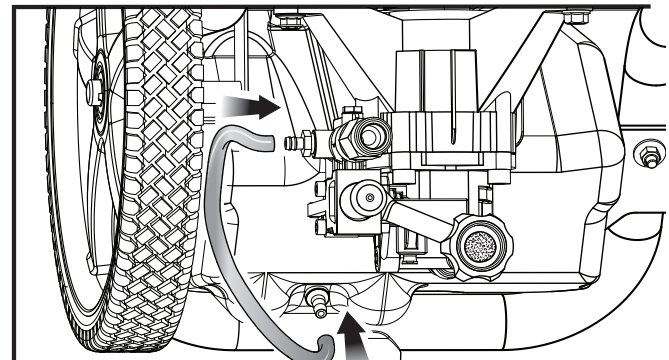


BLEACH

Use of soap nozzle will activate soap injector at a 20:1 dilution ratio.

WARNING! Never use bleach or solvent-based detergent.

- Will damage your pump
- Will void your warranty
- Will damage plants/shrubs



If soap injection hose comes loose from pressure washer, reattach it here.

NOZZLE SELECTION GUIDE

Use the chart below to determine the correct nozzle for your job.

0° 25° 40° SOAP	HIGH PRESSURE (NO SOAP WHEN USING THESE NOZZLES)			LOW PRESSURE (FOR SOAP OR GENTLE RINSE)
	0° Red	25° Green	40° White	Blue Soap Nozzle
ABRASIVE				
Concrete, Brick, Masonry	✓	✓	✓	✓
Siding, Gutters, House		✓	✓	✓
Fencing, Deck, Patio		✓	✓	✓
Lawn Equipment, Boat, RV		✓	✓	✓
	✓ Recommended Nozzle ✓ Use With Caution for Certain Applications			

BEFORE STORING THE UNIT

- 1** Always add Pump Protector to the unit after each use and before storing. This will significantly improve pump life. (See page 14)
Pump Protector is available from your local retailer. For further assistance, call customer service at 1-800-860-4050.
To add, follow the instructions provided by the Pump Protector manufacturer.



Make the most of your purchase! Go to www.ryobitools.com and register your new tool online. For questions about operating or maintaining your product, please call, 1-800-860-4050.